

Fireplace Insert
Models IDV33/IDV36



Direct Vent Gas Fireplace Insert

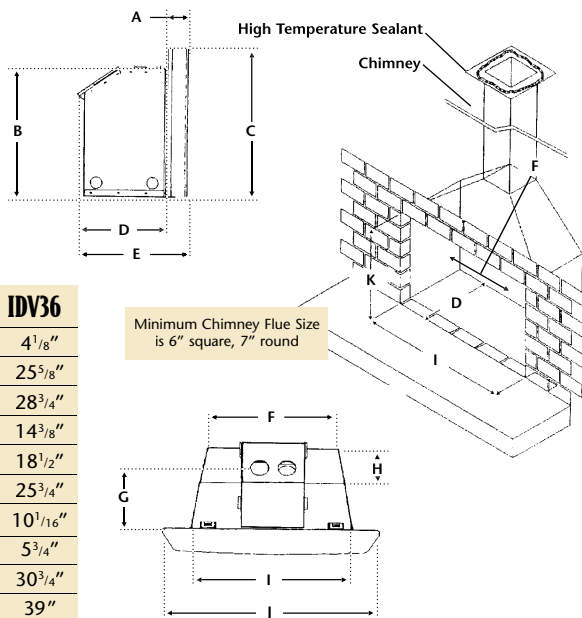


The ultimate in design, engineering & quality

Convert Your Fireplace From Wood to Gas for a New Standard of Warmth, Beauty, Safety and Convenience

Your best choice for installation in your home.

IDV33/36 Insert Dimension and Sizing



	IDV33	IDV36
A	4"	4 ¹ / ₈ "
B	21 ¹ / ₄ "	25 ⁵ / ₈ "
C	24 ⁵ / ₁₆ "	28 ³ / ₄ "
D	14 ³ / ₈ "	14 ³ / ₈ "
E	18 ¹ / ₂ "	18 ¹ / ₂ "
F	21 ¹ / ₈ "	25 ³ / ₄ "
G	10 ¹ / ₁₆ "	10 ¹ / ₁₆ "
H	5 ³ / ₄ "	5 ³ / ₄ "
I	26 ¹ / ₄ "	30 ³ / ₄ "
J	34 ¹ / ₂ "	39"
K	21 ¹ / ₄ "	25 ⁵ / ₈ "

Surround Kit (may be required for each insert).
Minimum fireplace coverage without Surround
IDV33 (34¹/₂"w x 24¹/₂"h), IDV36 (39"w x 28³/₄"h)

Part Number	Pieces/Color	Cover Size
I33S3426B	1pc. - Black	34 ¹ / ₂ "W x 26 ⁵ / ₈ "H
I33S4028B	3pc. - Black	40"W x 28"H
I33S4430B	3pc. - Black	44"W x 30"H
I33S4535B	1pc. - Black	45"W x 35"H
I36S3931B	1pc. - Black	39"W x 31 ³ / ₄ "H
I36S4432B	3pc. - Black	44"W x 32 ³ / ₈ "H
I36S4736B	1pc. - Black	47"W x 36"H



Unit illustrated is a IDV36N Direct Vent Insert – NG, LOGF36 Log Set – Fibre Split Oak, IDV36GBL Grill Kit – Black, IDV36RLT Refractory Brick Liner - Traditional

Enjoy the elegance and warmth of glowing embers and dancing flames around the split fibre oak log set. It is sure to be the focal point of your home. Choose from a variety of decorative options to create your own distinctive appearance and be assured of complete safety, comfort and long lasting value from a manufacturer of wood and gas fireplaces with more than 30 years of experience.

Here is a fireplace that has fully sealed combustion chamber with no pollution spillage to depreciate the indoor air quality of your home.

Models	Fuel	Input	Low	Output	Efficiency	FE(P.4.1-02)
IDV33N	natural	31,000	20,900	23,250	75%	51.2%
IDV33LP	propane	28,500	23,100	21,375	75%	53.9%
IDV36N	natural	34,250	24,000	25,688	75%	58.3%
IDV36LP	propane	30,000	22,840	22,500	75%	58.3%

Standard Features*

- Dual Burner with glowing embers
- Millivolt valve system allows operation during power failure with Hi-Low heat and flame adjustment
- Matchless Piezo Ignition
- Decorative Ash Bed
- Log Set - Fibre Split Oak*
- Ceramic Glass
- On/off Rocker switch
- Heat activated blower with variable speed control
- Bedroom and bed sitting room approval
- Mobile home, bedroom and bed sitting room approval

Optional Features*

Grills - Grills available in Black, Classic Series Black with Antique, Chrome, or Polish Brass accents

Designer Black Arch Door - Deluxe, Top Half, Double Arch and Double Door

Wall Mount Thermostat - Standard on/off or Programmable 5 day (weekday) and 2 day (weekend)

Remote Control - on/off or thermostat remote



Kingsman Fireplaces, maintains a program of continuous testing, refinement and improvements of all its products. Some aspect of units shown here may be changed at any time without notice or obligation.

Certification: The model IDV33 is certified for Canada/USA as a Vented Gas Fireplace Heater ANSI Z21.88a-2000/CSA-2.33a-2000. The model IDV36 is certified to ANSI Z21.88b/CSA 2.33b-2003

*Components may have to be ordered separately to create a complete unit. Discuss with your local Kingsman dealer for clarification.



Direct Vent Gas Fireplace Insert

Printed in Canada B045



Kingsman Fireplaces

2340 Logan Avenue

Winnipeg, Manitoba, Canada R2R 2V3

Phone: (204) 632-1962 Fax: (204) 632-1960

www.kingsmanind.com