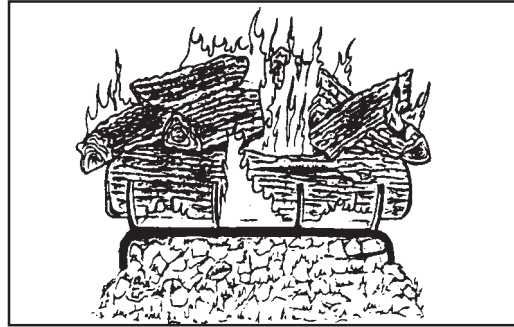


INSTALLER! PLEASE LEAVE WITH HOMEOWNER



INSTALLATION AND OPERATING INSTRUCTIONS

Golden Blount

GAS LOGS

Please Note: It is important that you read instructions before installing or operating gas logs

GENERAL INFORMATION

Gas logs are to be burned only in approved woodburning Fireplace with adequate chimney draft. When burning, the chimney damper must be FULLY OPEN. Chimney opening must be equal to 8" in diameter or 50 sq. inches.

- For best results, natural gas pressure must be 7" to 10 1/2" water column.
- To simulate real wood burning, the gas burner is designed to burn a yellow flame. It is normal for the logs to soot-up. The soot can easily be removed with a vacuum cleaner or a soft brush.
- A fireplace screen must be in place when the appliance is operating and, unless other provisions for combustion air are provided, the screen shall have an opening (s) for introduction of combustion air.
- If used with glass fireplace doors, burn with doors in open position.
- Do not burn wood or other items with log set.



FOR YOUR SAFETY

If you smell gas:

1. Open Windows.
2. Don't Touch electrical switches.
3. Extinguish any open flame.
4. Immediately call your gas supplier.

FOR YOUR SAFETY

Do not store or use gasoline or other flammable vapors and liquids in the vicinity of this or any other appliance.

IMPORTANT INFORMATION

CHECK TO BE SURE LOG SET IS FOR PROPER GAS TYPE

Log sets are designed for use with Natural Gas, unless clearly labeled for Propane (LP). Never use Propane Gas in a log set designed for Natural Gas, or Natural Gas in a log set designed for use with Propane Gas.

The installation, including provisions for combustion and ventilation air, must conform with local codes or, in the absence of local codes, with the national fuel Gas Code, ANSI Z223.1-1988 and NFPA54-1988.

The appliance and its individual shutoff valve must be disconnected from the gas supply piping system when testing at test pressures in excess of 1/2 psig.

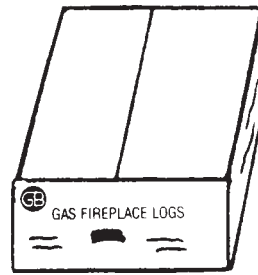
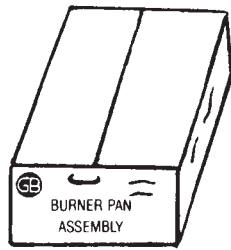
The appliance must be isolated from the gas supply piping system by closing its individual manual shutoff valve during any pressure testing of gas-supply system at test pressures equal to or less than 1/2 psig. This is accomplished by closing the gas supply line valve, which is required by NFPA 54, section 5.54.

The minimum inlet gas supply pressure for the purpose of input adjustment is 7" WC for Natural Gas and 11" WC for Propane Gas.

The maximum inlet gas supply pressure for this burner is 10.5" for Natural Gas and 13" for Propane Gas.

MINIMUM FIREPLACE SIZE

| Log Set Size | Depth | Height | Front Opening |
|--------------|-------|--------|---------------|
| 18" | 14" | 16" | 24" |
| 21" | 14" | 16" | 28" |
| 24" | 15" | 16" | 30" |
| 30" | 16" | 16" | 36" |
| 36" | 17" | 16" | 42" |



18" - 21" and 24" Golden Blount Log sets are packed in 2 boxes. One box contains the logs and one box contains the other component parts. 30" and 36" sets are packed in 3 boxes, 2 for logs and 1 for component parts.

Components Parts - For Natural Gas ITEM

1. Damper Clamp

2. Log Grate

3. Gas Pan Burner

4. Cast Iron Burner Cap

5. Orifice

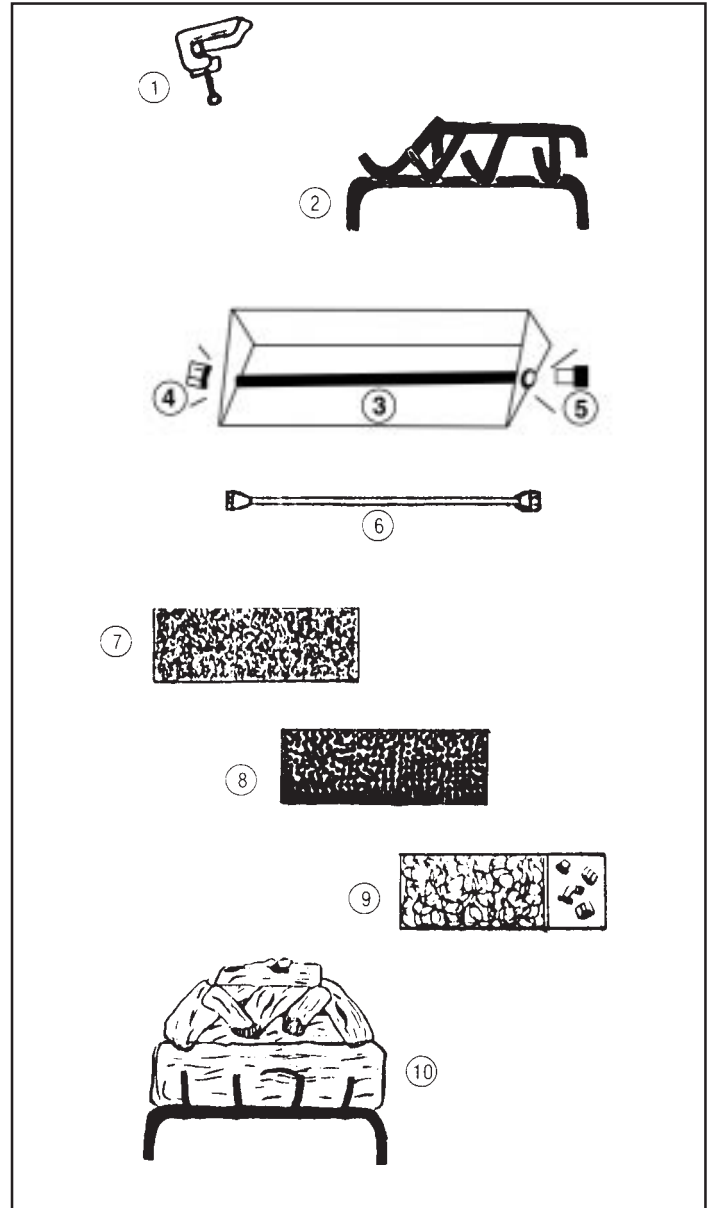
6. Aluminum Connector

7. Silica Sand
(Vermiculite supplied with L.P. sets)

8. Black Volcanic cinders

9. Glowing Embers w/hardware kit

10. Ceramic Logs
Number of logs per set varies with set size



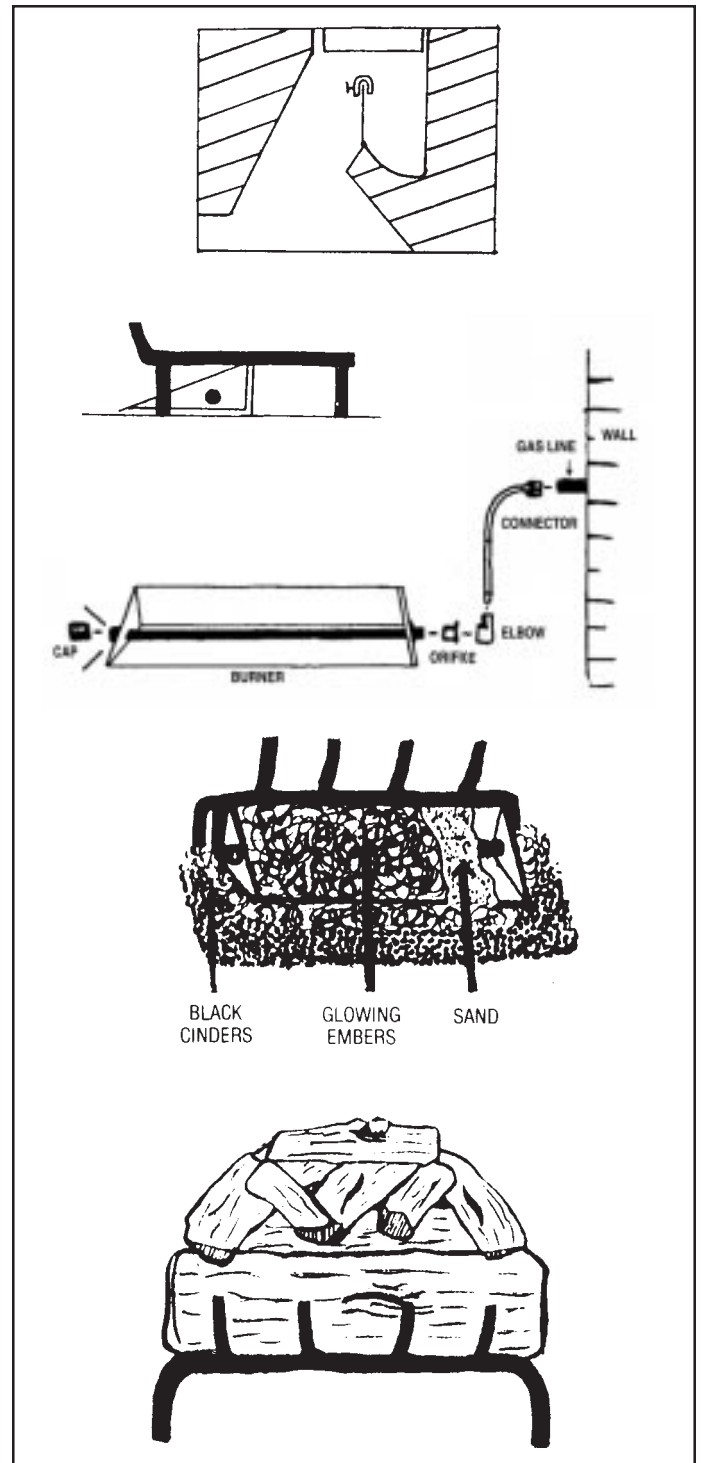
*The gas fittings supplied are for what the factory considers a normal installation. Some installations may require a longer connector tube or other fittings available at most hardware stores.

L.P. SETS MUST BE INSTALLED WITH GB SAFETY PILOT LIGHT KIT.

L.P. Gas sets are supplied with vermiculite instead of sand (item 7) and without (item 5) natural gas orifice.

TO INSTALL GAS LOG SET:

1. Attach damper clamp to fireplace damper to keep damper open a minimum of 3".
2. Put grate in center and to the rear of fireplace floor.
3. Position burner under grate so that the burner pipe is approximately 3" in back of grate front legs. Remove grate.
4. Attach aluminum connector to supply and burner pan. **Note!** Be careful not to crimp aluminum tube when bending. Use soapy water to check fittings for leaks.
5. Pour silica sand into burner pan completely covering the pipe burner in pan. Vermiculite to be used with L.P. sets. **Note!** On L.P. models be careful not to pour vermiculite over brass air mixer attached to burner pan. Air mixer holes must not be obstructed!
6. Spread the black cinders in the front and sides of the burner pan to form a picture frame effect to enhance the overall appearance. **Note!** On L.P. models be careful not to pour black cinders over brass air mixer attached to burner pan. Air mixer holes must not be obstructed!
7. Evenly spread glowing ember material over the burner pan and replace grate.
8. Place logs on grate.
 - A. The longest log is the bottom front log.
 - B. Next longest log is the bottom back log to be positioned 3" behind the front log.
 - C. The positioning of the top logs is a matter of the installer's choice.**Note!** Illustration shows 1-piece front log. Some GB models have 2-piece front logs or separate log arrangement instructions



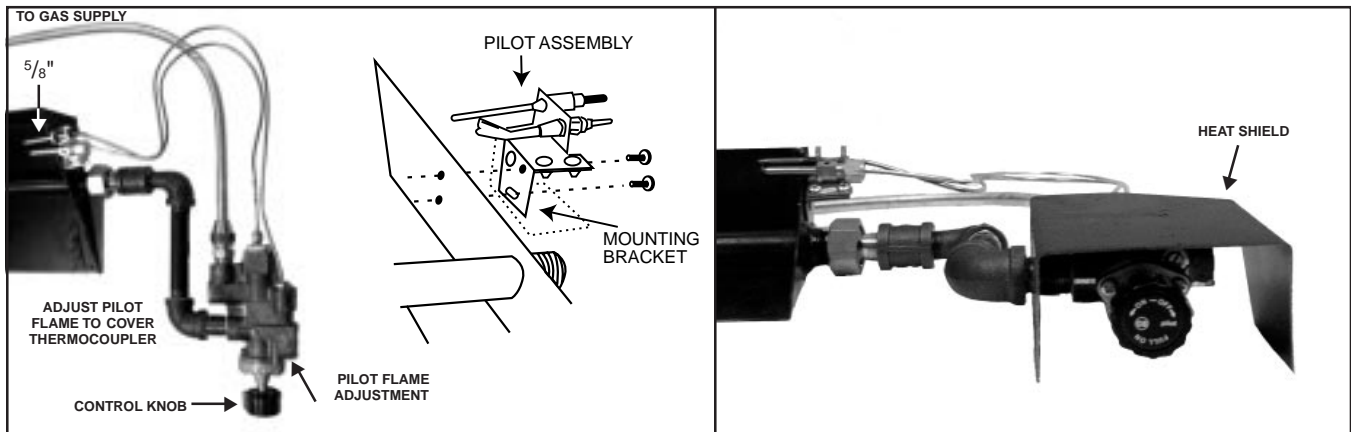
IMPORTANT – PLEASE NOTE L.P. GAS MODELS!

MODERATE SOOT ACCUMULATION IS CONSIDERED NORMAL FOR L.P. GAS LOGS. TO KEEP THIS SOOT ACCUMULATION TO A MINIMUM, REDUCE THE FLAME IMPINGEMENT BY SPACING FRONT AND BACK LOGS AS FAR APART AS POSSIBLE, AND ALL TOP LOGS AS FAR APART AS POSSIBLE.

You are now ready to light the log set by turning the fireplace gas valve on and using a long match or butane fire starter. Be sure to ignite the match or lighter before turning on gas valve. A MODERATE FIRE DURING THE FIRST 4 HOURS OF BURN TIME IS RECOMMENDED. DO NOT OVERFIRE DURING THE BREAK IN PERIOD.

SUPPLEMENTAL INSTRUCTIONS FOR SAFETY PILOT LIGHT KITS

Make sure you have the correct GB Kit for Natural or L.P. Gas.



The Safety Pilot Kit attaches to the burner pan as shown above.

Use soapy water when checking all fittings for leaks.

LIGHTING INSTRUCTIONS

To light, turn control knob clockwise to pilot position and then hold match to end of thermocouple assembly while pushing in control knob.

Hold knob in about 2 minutes and slowly release knob. If the flame goes out turn knob counterclockwise to off position and repeat procedure after waiting 5 minutes.

FIREPLACE DAMPER MUST BE IN FULL OPEN POSITION BEFORE LIGHTING MAIN BURNER.

After the pilot flame is burning, turn control knob to "ON" position. If the main burner does not light within 4 seconds, turn knob counterclockwise to "OFF" position. Wait 5 minutes and repeat procedure from step one.

LIMITED WARRANTY

Golden Blount Gas Logs are warranted against defective materials and/or workmanship for as long as you own them. Burner pan assemblies are guaranteed for five years from date of purchase. Safety Pilot Assemblies are covered for one year.

This warranty does not cover parts subjected to misuse, abuse, improper handling or improper installation. The GB warranty specifically excludes any liability for indirect, incidental or consequential damage to property.

Defective logs or defective parts should be returned to your dealer or to the factory prepaid with a copy of your sales receipt. Defective parts will be repaired or replaced at the factory's option and returned to you prepaid.



GOLDEN BLOUNT - 4301 WESTGROVE DRIVE - ADDISON, TX 75001